



## Performance & Quality Driven Reverse Circulation Hammers & Bits

# Mincon MX 5053

### Why Buy the Mincon MX5053?

The Mincon Xploration (MX) 5053 is a high performance geological sampling tool that provides trouble free operation in all kinds of demanding conditions. It delivers superior penetration rates versus other manufacturers with extremely smooth drilling and continuous sampling.

Like all Mincon DTH hammers, the MX maintains excellent operating pressure over an extended service life and overall is the tool you require to get the maximum out of all your equipment.

Mincon Products are all manufactured in house, and all processes are controlled by Mincon's experienced Engineering Department. This guarantees that the quality you "Expect" is always delivered.

### Design Highlights:

- ▶ Patented Design provides excellent sampling in the most difficult conditions including unconsolidated ground, hard abrasive ground and large volumes of water.
- ▶ Provides the most cost effective high quality reverse circulation sampling available in the industry.
- ▶ Hammer delivers superior performance regardless of whether a high pressure booster is employed or not.
- ▶ 36mm parallel bore on sample tube provides excellent life in the toughest abrasive conditions.
- ▶ Patented Bit Design provides the most robust shank in the industry and eliminates the need for additional parts to seal the sampling process and subsequently eliminates the need to stock these parts in different sizes.
- ▶ Patented internal mount system gives positive make-up and eliminates the need for wear shims and special assembly tools. Locking mechanism secures the top end of the hammer rigidly in place providing very smooth drilling
- ▶ All critical internal components are heat treated under strict control to maximize tool longevity.
- ▶ An overall cost-effective and user friendly tool for use in the most demanding conditions.

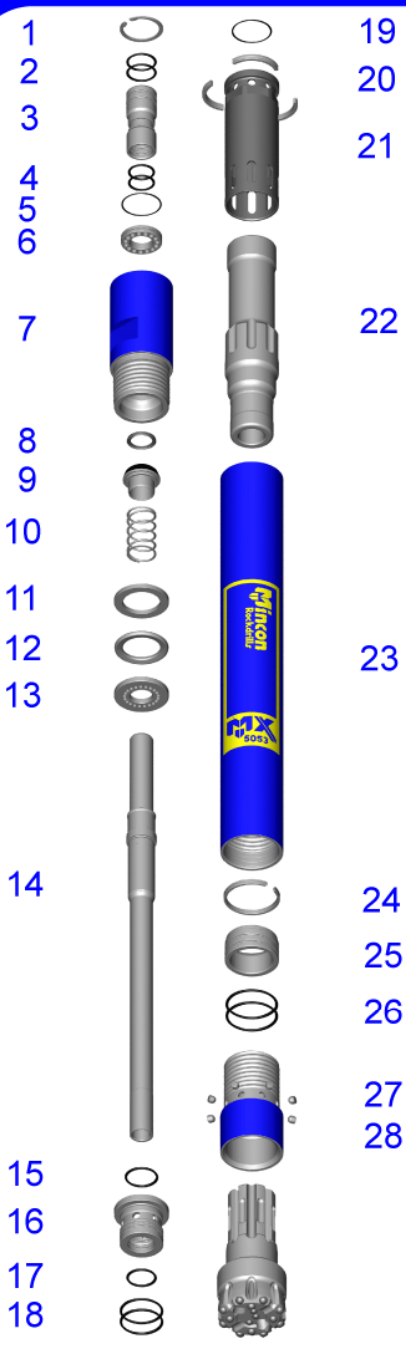


### Applications:

- Geological Sampling

*'The Driller's Choice'*

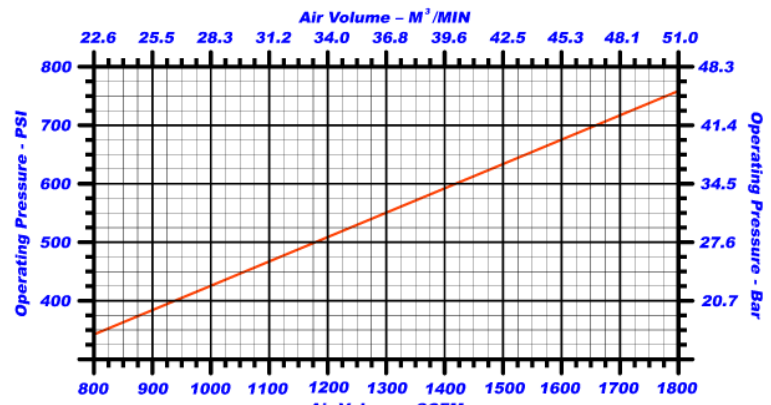
**"LEADERS IN THE FIELD OF DRILLING TECHNOLOGY"**



# MINCON MX5053 PARTS LIST & SPECIFICATION

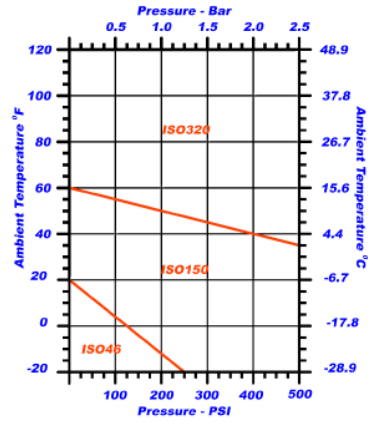
Item	Description	Part No.
	Mincon MX5053 Hammer	MX5053AS04
1	Internal Circlip	1300-0780
2	O Ring	BS 226
3	Adaptor Tube (4 1/2" Metzke)	MX5053AT31
4	O Ring	BS 224
5	O Ring	BS 040
6	Air Screen	MX5053SC01
7	Backhead (4 1/2" Metzke)	MX5053BH31
8	Check Valve Seal (Nitrile U Seal)	8406-175-N8
9	Check Valve	MX5053CV01
10	Check Valve Spring	MX5053SP01
11	Steel Make Up Ring	MX5053SM01
12	Lock Ring	MX5053LR01
13	Spacer	MX5053SS01
14	Sample Tube	MX5053ST01
15	O Ring	BS 228
16	Sample Tube Mount	MX5050DR01
17	O Ring	BS 226
18	O Ring	BS 234
19	O Ring	BS 040
20	Seating Ring	MX5053SR01
21	Inner Cylinder	MX5053IC01
22	Piston	MX5053PN01
23	Wear Sleeve	MX5053WS01
24	Piston Retaining Ring	MX5053PR01
25	Aligner	MX5053BB01
26	O Ring	N7 92x4
27	Bit Retaining Pin	MX5053BR01
28	Chuck	MX5053CK01
Hammer Outside Diameter		4.72" / 120mm
Bit Size		5.0" - 5.375" / 127mm - 137mm
Backhead Spanner Flat Size		4" / 100mm
Hammer Length (Less Bit)		45.9" / 1165mm
Bit Shank Type		MX5053
Backhead Thread		4 1/2" Metzke
Weight (Less Bit)		154 Lbs / 70 Kgs
Stand Off		0.030" / 0.75mm

## OPERATING PRESSURE / AIR CONSUMPTION

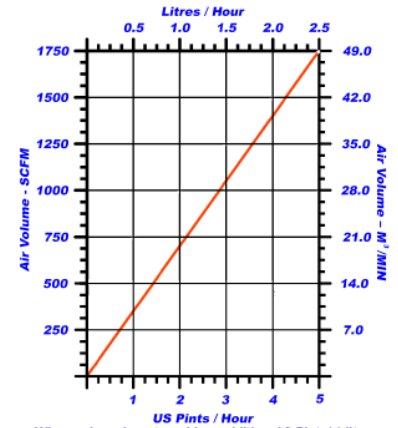


Operating Hammer at Pressures exceeding 500 PSI will void all Warranty

## ROCKDRILL OIL GRADE



## ROCKDRILL OIL CONSUMPTION



When using a booster add an additional 2 Pints / 1 litre of Oil. When injecting water double the oil injection.

Mincon Rockdrills Pty Ltd.  
 243 Collier Road, Bayswater  
 WA 6053  
 Australia  
 Telephone: +61 8 9471 2700  
 Fax: +61 8 9471 2790  
 Email: jelsby@mincon.com.au

**Distributed by:**