

# Mincon MP55

## Why Buy the Mincon MP55?

The Mincon MP55 is a Universal hammer that can be used in almost any drilling application. It is a field proven technology that delivers superior penetration rates versus other manufacturers.

Like all Mincon DTH hammers, the Mincon MP55 maintains excellent operating pressure over an extended service life and overall is the tool you require to get the maximum out of all your equipment.

Mincon Products are all manufactured in house, and all processes are carried out under the one roof. This guarantees that the quality you “Expect” is always delivered.

## Design Highlights:

- ▶ Patented features maximize energy output and reduce service requirements.
- ▶ Fewer internal components minimize service requirements.
- ▶ Valveless, high frequency design ensures smooth operation.
- ▶ Reversible hardened wear sleeve for optimum wear resistance even in the most abrasive conditions.
- ▶ Multi-start threads on backhead and chuck ensure easy coupling/uncoupling of hammer.
- ▶ Unique internal mount system eliminates the need for wear shims and special assembly tools.
- ▶ All critical internal components are heat treated under strict control to maximize tool longevity.
- ▶ An overall cost-effective and user friendly tool for use in the most demanding conditions.



# Mincon MP55

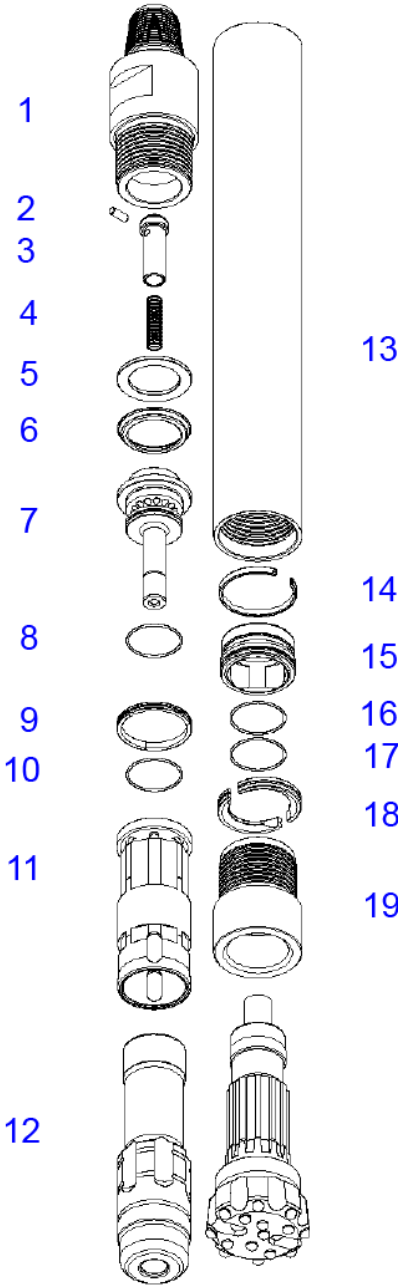
### Applications:

- Blast Hole
- Water Well
- Environmental
- Exploration
- Construction

***‘The Driller’s Choice’***

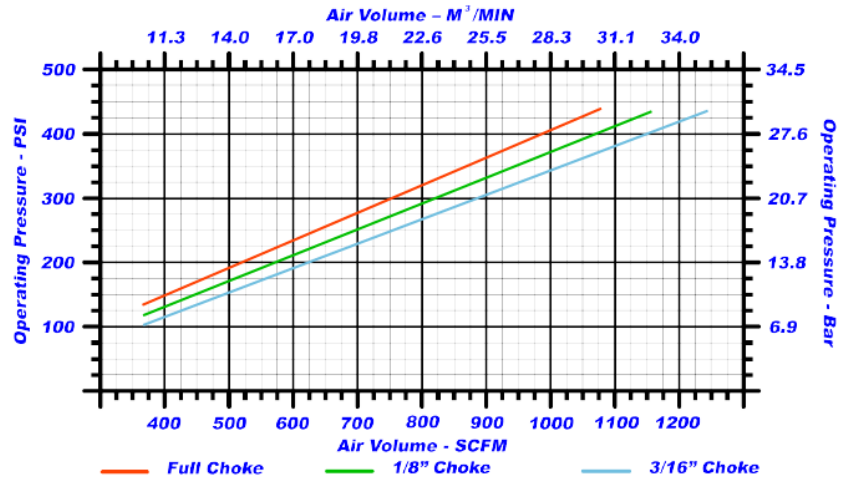
***“LEADERS IN THE FIELD OF DRILLING TECHNOLOGY”***

# MINCON MP55 PARTS LIST & SPECIFICATION



Item	Description	Part No.
	Mincon MP55 Hammer	MBX501AS03
1	Backhead	MBX501BH02
2	Choke Blank	MB506CH01
	Choke 1/8" (3.2mm)	MB506CH02
	Choke 3/16" (4.8mm)	MB506CH03
3	Check Valve	MB502CV01
4	Spring	MB503SP01
5	Steel Make Up Ring	MB504SM01
6	Lock Ring	MB505LR01
7	Air Distributor	MB507DR01
8	O Ring	MB521OR01
9	Seating Ring	MB509SR01
10	O Ring	MB523OR01
11	Inner Cylinder	MB508IC02
12	Piston	MB510PN04
13	Wear Sleeve	MBX511WS03
14	Piston Retaining Ring	MB511PR01
15	Aligner	MB517BB01
16	O Ring	MD621OR01
17	O Ring	MB522OR01
18	Bit Retaining Ring	MB513BR03
19	Chuck	MBX514CK04
Outside Diameter		4.88" 124mm
Minimum Bit Size		5.5" 140mm
Spanner Flat Size		3.5" 89mm
Length (Less Bit, Backhead Shoulder to Chuck)		39.9" 1014mm
Bit Shank Type		QL50
Outside Diameter		3 1/2" A.P.I. Reg. Pin
Piston Weight		33.6Lbs 15 Kgs
Wear Sleeve Discard Limit		4.400" 111.8mm

## OPERATING PRESSURE / AIR CONSUMPTION



## Mincon International Ltd

Shannon, Co. Clare

Ireland

Telephone: +353 61 361 099

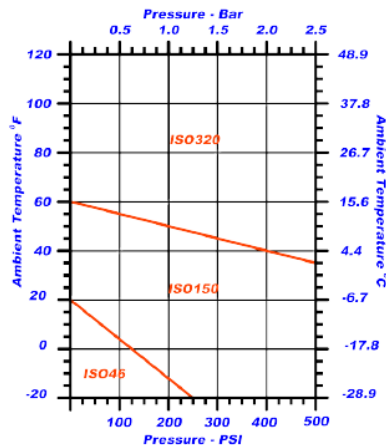
Fax: +353 61 361 808

Email: [mincon@mincon.com](mailto:mincon@mincon.com)

Web: <http://www.mincon.com>

**Distributed by:**

## ROCKDRILL OIL GRADE



## ROCKDRILL OIL CONSUMPTION

