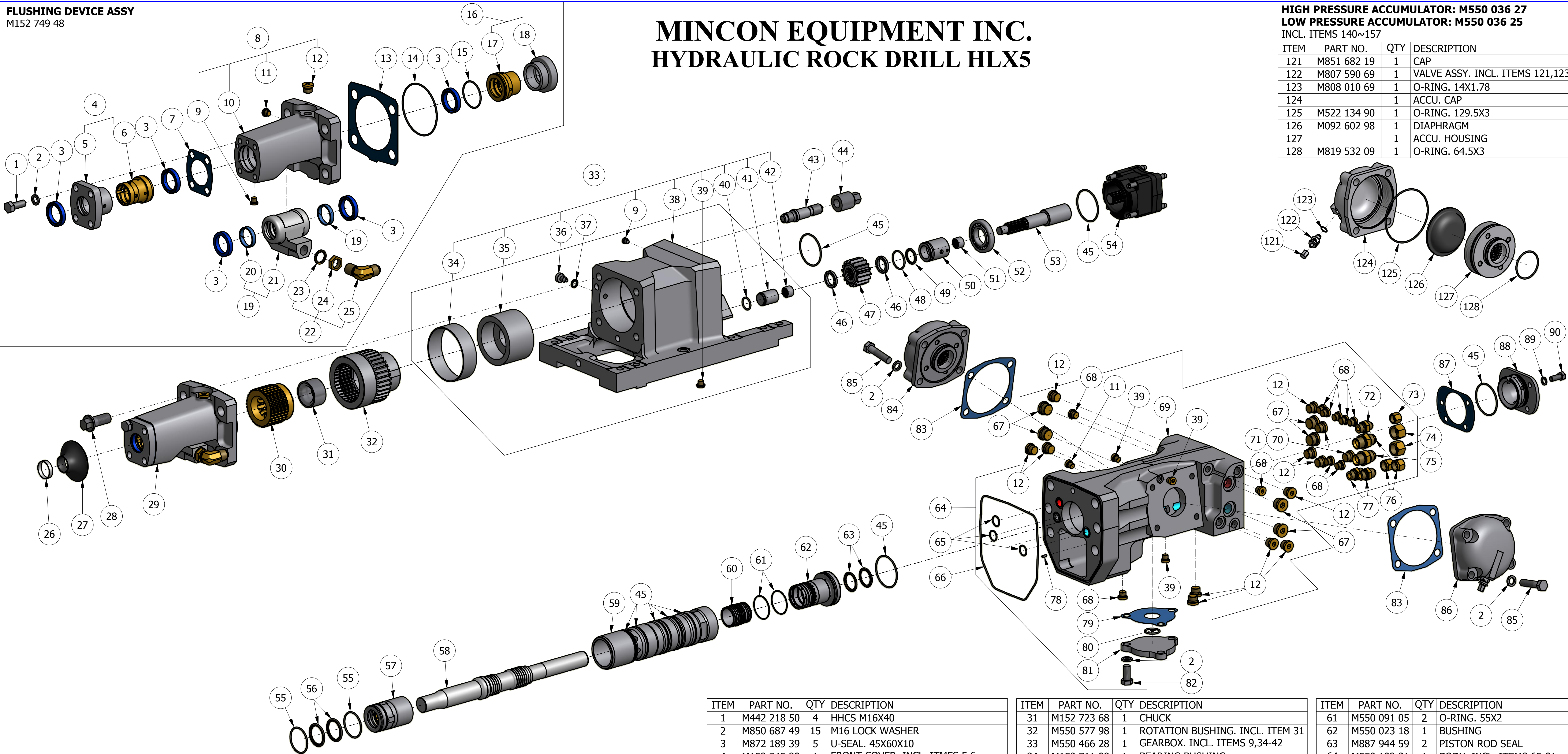


MINCON EQUIPMENT INC. HYDRAULIC ROCK DRILL HLX5

HIGH PRESSURE ACCUMULATOR: M550 036 27
LOW PRESSURE ACCUMULATOR: M550 036 25
INCL. ITEMS 140~157



ITEM	PART NO.	QTY	DESCRIPTION
121	M851 682 19	1	CAP
122	M807 590 69	1	VALVE ASSY. INCL. ITEMS 121,123
123	M808 010 69	1	O-RING. 14X1.78
124		1	ACCU. CAP
125	M522 134 90	1	O-RING. 129.5X3
126	M092 602 98	1	DIAPHRAGM
127		1	ACCU. HOUSING
128	M819 532 09	1	O-RING. 64.5X3

ITEM	PART NO.	QTY	DESCRIPTION
1	M442 218 50	4	HHCS M16X40
2	M850 687 49	15	M16 LOCK WASHER
3	M872 189 39	5	U-SEAL. 45X60X10
4	M152 745 38	1	FRONT COVER. INCL. ITMES 5,6
5	NSS	1	FRONT COVER
6	M152 744 08	1	BEARING BUSHING
7	M150 809 18	1	GASKET PLATE 1X95
8	M550 056 39	1	FRAME ASSY. INCL. ITEMS 9-12
9	M865 683 09	2	R1/8" PLUG
10	NSS	1	FLUSHING DEVICE BODY
11	M550 093 63	2	R1/4" PLUG
12	M881 140 79	12	R1/2" PLUG
13	M152 748 18	1	GASKET PLATE
14	M800 816 79	1	O-RING. 124.5X3
15	M300 637 10	1	O-RING. 62.2X3
16	M152 747 98	1	SHANK BUSHING. INCL. ITEMS 17,18
17	M152 697 08	1	BUSHING
18	NSS	1	SHANK BUSHING
19	M550 695 68	1	SEAL HOUSING. INCL. ITEMS 20,21
20	M550 668 36	2	SLYD-RING
21	M550 653 80	1	SEAL HOUSING
22	M550 056 76	1	ADAPTOR. INCL. ITEMS 23-25
23	M800 348 19	1	USIT SEAL
24	M812 949 59	1	LOCK NUT
25	M550 032 32	1	ADAPTOR
26	M280 678 90	1	HOSE CLAMP
27	M047 689 68	1	RUBBER COVER
28	M550 034 00	4	SCREW
29	M152 749 48	1	FLUSHING DEVICE ASSY
30	M550 508 28	1	COUPLING

ITEM	PART NO.	QTY	DESCRIPTION
31	M152 723 68	1	CHUCK
32	M550 577 98	1	ROTATION BUSHING. INCL. ITEM 31
33	M550 466 28	1	GEARBOX. INCL. ITEMS 9,34-42
34	M152 711 08	1	BEARING BUSHING
35	M550 356 04	1	BEARING BUSHING
36	M550 036 03	1	SCREW
37	M801 802 69	1	USIT-SEAL. U13.7X22X1.5
38		1	GEAR HOUSING
39	M871 692 89	4	PLUG. R1/4"
40	M522 107 40	1	O-RING. 26.2X3
41	M150 259 08	1	BEARING HOUSING. INCL. ITEM 42
42	M815 035 19	1	BEARING. 3/4"X1"X5/8"
43	M152 716 38	6	STUD
44	M152 525 68	6	CAP NUT
45	M800 658 09	9	O-RING. 74.5X3
46	M150 797 18	2	SLIDE WASHER
47	M154 194 08	1	GEAR WHEEL
48	M853 575 89	1	O-RING. 41.2X3
49	M887 946 09	1	SHAFT SEAL
50	M550 007 62	1	BEARING BUSHING. INCL. ITEM 51
51	M888 097 49	1	BEARING
52	M511 108 30	1	DEEP GROOVE BALL BEARING
53	M154 217 48	1	ROTATION SHAFT
54	M550 097 85	1	ROTATION MOTOR
55	M801 368 49	2	O-RING. 59.5X3
56	M887 945 89	2	PISTON ROD SEAL
57	M152 715 08	1	FRONT BUSHING
58	M302 969 08	1	PISTON
59	M550 047 84	1	CYLINDER
60	M152 576 38	1	DISTRIBUTOR

ITEM	PART NO.	QTY	DESCRIPTION
61	M550 091 05	2	O-RING. 55X2
62	M550 023 18	1	BUSHING
63	M887 944 59	2	PISTON ROD SEAL
64	M550 103 31	1	BODY. INCL. ITEMS 65-81
65	M808 788 39	3	O-RING. 22.3X2.4
66	M550 152 17	1	O-RING. 245X3
67	M881 141 09	6	R3/4" PLUG
68	M881 139 09	10	R3/8" PLUG
69	NSS	1	BODY
70	M150 221 58	2	PLUG SCREW - R1/2"
71	M522 067 70	2	O-RING. 17.3X2.4
72	M817 094 69	1	ADAPTER. 1/2"X3/4"-16
73	M817 097 49	1	PLUG. #8
74	M816 909 59	2	PLUG. #12
75	M816 768 29	2	ADAPTER. 1-1/16"-12 JIC
76	M816 749 39	2	PLUG. #10
77	M816 698 29	2	ADAPTER. 7/8"-14 JIC
78	M882 322 79	1	SPRING PIN. 5X12
79	M152 539 88	1	GASKET PLATE
80	M818 735 39	1	O-RING. 32.2X3
81	M152 538 58	1	PLATE
82	M800 537 39	3	HHCS M16X35
83	M550 042 26	2	GASKET PLATE
84	M550 036 27	1	H.P. ACCUMULATOR
85	M802 198 29	8	HHCS M16X70
86	M550 036 25	1	L.P. ACCUMULATOR
87	M550 046 25	1	GASKET
88	M550 026 37	1	COVER
89	M851 068 09	4	M12 DOUBLE LOCK WASHER
90	M800 470 59	4	HHCS M12X30



MANUFACTURERS OF QUALITY ROCK DRILLS

VANCOUVER SERVICE CENTRE

5349 - 273A STREET
LANGLEY, BRITISH COLUMBIA
CANADA V4W 3Z4
PHONE: 604-856-4479
FAX: 604-856-7674
www.MinconMining.com